



«MAGNITO-KONTAKT» Ltd

51B, place H4, Novaya St., 390027 Ryazan, Russia, phone +7 915 622-20-57
 E-mail: olya374@rambler.ru; 451694@bk.ru <http://www.m-kontakt.ru>

MAGNETIC POSITION SENSOR ARTOL-400



Description

The magnetic position sensors ARTOL-400 are intended for use in automation systems of various devices, in household, commercial, medical, scientific and industrial applications and signal issuance, by opening or switching the contact of the reed switch; As well as in security or fire alarm systems for the purpose of blocking the elements of structures from magnetically conductive and non-magnetically conductive materials.

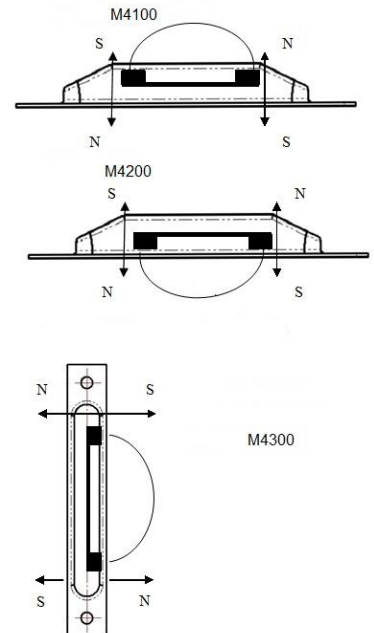
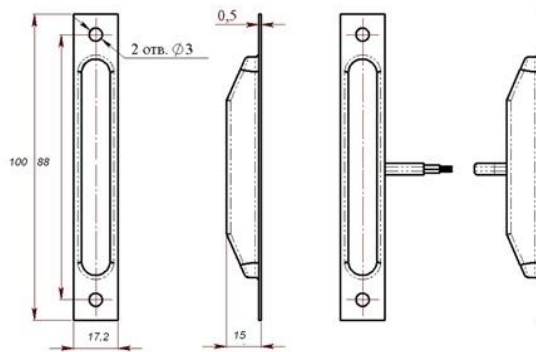
The sensor housing and the magnet is made of stainless steel.



| Magnet | Sensor ARTOL - 400.00 normally open installs on metal (magnetoactive) | Sensor ARTOL - 400.01 changeover installs on metal (magnetoactive) |
|--------|--|--|
| M4100 | contacts are closed at a distance of 25mm contacts open at a distance of 35mm | Contacts switched at a distance of 15mm Contacts are not switched at a distance of 20mm |
| M4200 | contacts are closed at a distance of 25mm contacts open at a distance of 35mm | Contacts switched at a distance of 10mm Contacts are not switched at a distance of 13mm |
| M4300 | contacts are closed at a distance of 15mm contacts open at a distance of 20mm | Contacts switched at a distance of 10mm Contacts are not switched at a distance of 16mm |

Dimensions

Dimensions in mm



| | |
|-----------------------|--|
| Switching current | 0.25A |
| Switching voltage | 72V |
| Switching power max | Not more 10W, VA |
| Dimensions | Sensor 100*17,2*15 Magnet 100*17,2*15 |
| Weight | Sensor 0,02 kg Magnet 0,02 kg |
| Operating temperature | -40...+50°C |
| Humidity | 98% |
| Contact resistance | 0,5 Ω |