



POSITION SENSOR MAGNETICALLY CONTACT DPM-3 (execution type-00-07)



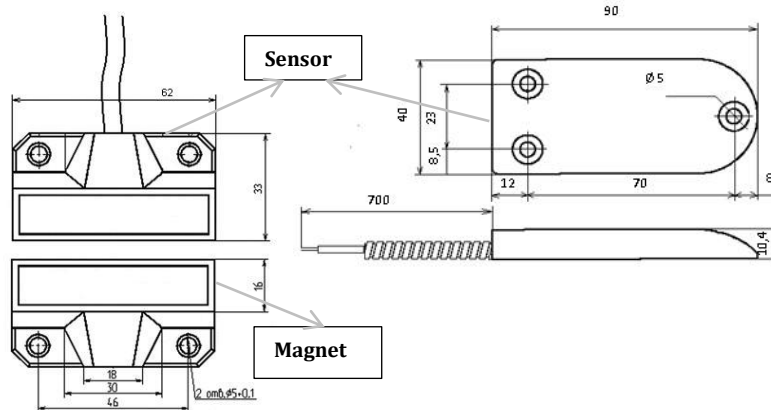
Description

Position sensor DPM-3, is designed to lock gates, railway containers, sheds, doors, cars, elevators and other structural elements of buildings and structures made of magnetically conductive materials (steel, cast iron, galvanized iron, etc.) and not magnetically conductive materials at the opening or displacement with alarm by disconnection (switch) of the reed switch, as well as in control systems of various devices.

Enclosure of the position sensor DPM-3(execution type-00-07) is made of plastic.

Dimensions

Dimensions in mm



Electrical characteristics

Switching current	≤0.5A
Switching voltage	≥72V
Switching power max	10W,VA
Dimensions	Sensor- 62*33*21mm(-00-01-02-03-04-05);90*40*11mm(-06-07) Magnet- 62*33*21mm(-00-01-02-03-04-05)
Weight	Sensor - 0,025kg(-00-01-02-03-04-05); 0,05kg(-06-07) Magnet - 0,075kg
Operating temperature	-50...+50°C
Humidity	98%
Contact resistance max	0,5 Ω

Technical data

Execution type	Design feature	Reed switch type	Outlet type & length
-00	no internal connector	normally open contact	350mm (double insulation)
-01	with internal connector	normally open contact	
-02	no internal connector	changeover contact	350mm (double insulation)
-03	with internal connector	changeover contact	
-04	no internal connector	normally open contact	700mm (metal hose) Ø3,8mm
-05	no internal connector	changeover contact	700mm (metal hose) Ø6,0mm
-06	on the floor	normally open contact	700mm (metal hose) Ø3,8mm
-07	on the floor	changeover contact	700mm (metal hose) Ø6,0mm

Execution type	Distance between the sensor and magnet in the closed (switched) condition	Distance between the sensor and the magnet in the open (not switched) state
-00-01-04-06	≤30mm	≥70mm
-02-03-04-07	≤25mm	≥70mm