



«MAGNITO-KONTAKT» Ltd

51B, place H4, Novaya St., 390027 Ryazan, Russia, phone +7 915 622-20-57
 E-mail: 453788@bk.ru; 451694@bk.ru /m-kontakt.ru/ /m-kontakt.com/

EXPLOSION-PROOF MAGNETIC REED DETECTOR DMG



0Ex ia IIC T6 Ga X / PO Ex ia I Ma X

INGRESS PROTECTION RATING
IP66/IP68

Description

DMG sensor can be used in underground mines and their surface structures, hazardous for mine gas and/or combustible dust.

The detectors consist of two components - a magnetically controlled sensor (reed switch unit) and a control element (magnet block).

The units are housed in metal enclosures made stainless steel. Sensors can be made in aluminum, brass, brass with anticorrosion coating.

The reed block is equipped with a permanently connected cable. The reed switch block can be equipped with additional resistors R.

Sensors are available:

With a single reed switch: normally open contact (NO) or normally closed contact (NC) with changeover contact (NO + NC);

Two reed switches: normally open contacts (2NO), normally closed contacts (2NC), a combination of contacts (1NO + 1NC) and the changeover contact (NO + NC NO + NC).

Operating temperature from - 60°C to + 70°C.

Weight: reed switch unit - 0.65 kg, magnet block - 2.75 kg.



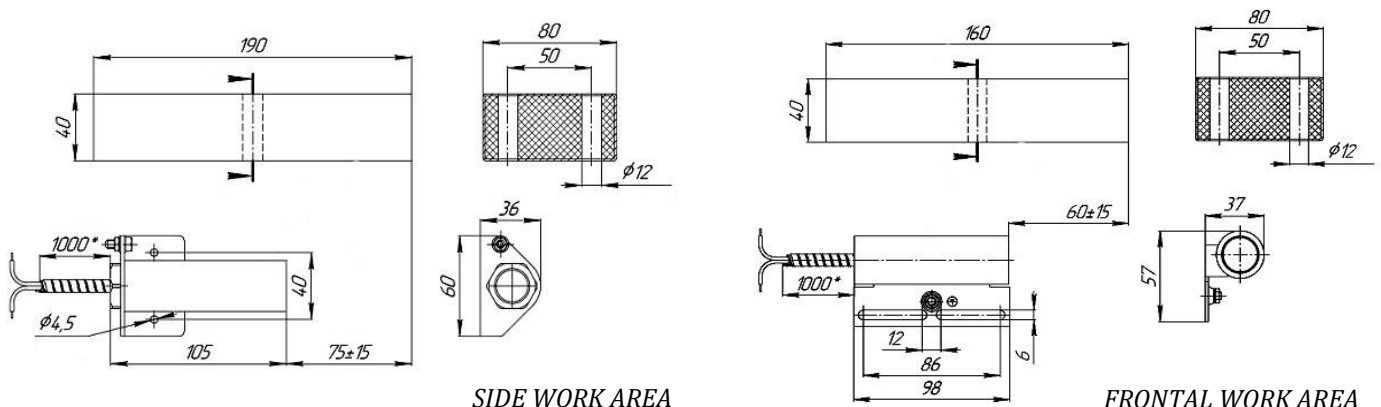
SIDE WORK AREA



FRONTAL WORK AREA

Dimensions

Dimensions in mm



Technical data

Execution type	Sensing distance
DMG ver. 40 (magnet length-160mm)	40 mm
DMG ver.100 (magnet length-160mm)	100 mm
DMG ver.200 (magnet length-190mm)	200 mm