



«MAGNITO-KONTAKT» Ltd

51B, place H4, Novaya St., 390027 Ryazan, Russia, phone +7 915 622-20-57
 E-mail: 453788@bk.ru; 451694@bk.ru /m-kontakt.ru/ /m-kontakt.com/

EXPLOSION-PROOF MAGNETIC CONTACT SECURITY DETECTOR Ex IO 102 MK



1Ex d IIC T6 Gb / PB Ex d I Mb

INGRESS PROTECTION RATING
IP66/IP68



Description

Ex IO 102 MK detector is designed to monitor the positions of substructures and mechanisms, building elements and structural systems for opening or displacement, which are made of magnetic (steel and alloys) or non-magnetic materials (wood, plastic, aluminum).

Detector housing material: stainless steel, aluminum alloy.

Cable gland is manufactured with different types of nozzles:

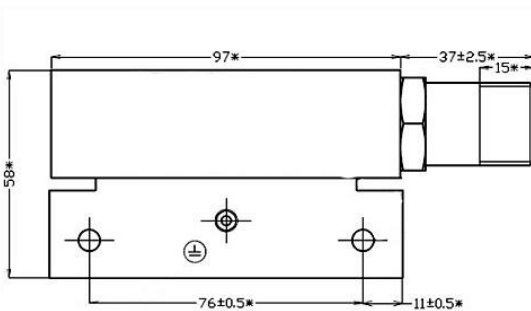
- For Ø6-12mm cable laying
- For Ø6-12mm armored cable laying
- For cable laying in tubes with coupling thread G-1/2
- For cable laying in tubes with coupling thread G-3/4
- For Ø6-12mm cable in a 15mm metal hose
- For Ø6-12mm cable in a 20mm metal hose.

Operating temperature **from - 60°C to + 95°C.**

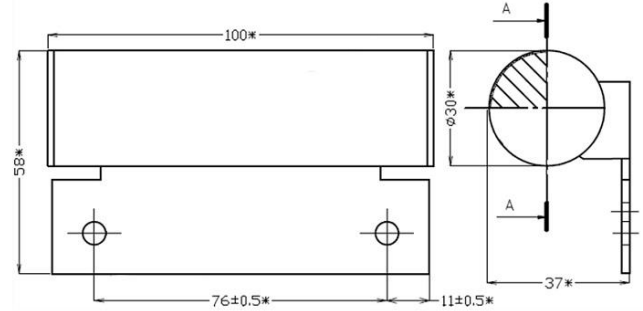
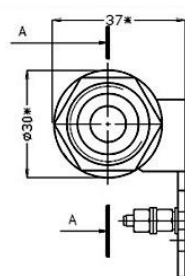
Weight: reed switch unit - **0.65 kg**, magnet block - **0.48**

Dimensions

Dimensions in mm



REED SWITCH UNIT



MAGNET BLOCK

Technical data

Execution type	Sensing distance
Ex IO 102 MK ver.200 (magnet M100/M200)	55mm/35mm
Ex IO 102 MK ver.300 (magnet M100/M200)	50mm/30mm