



## «MAGNITO-KONTAKT» Ltd

51B, place H4, Novaya St., 390027 Ryazan, Russia, phone +7 915 622-20-57  
E-mail: 453788@bk.ru; 451694@bk.ru /m-kontakt.ru/ /m-kontakt.com/

### EXPLOSION-PROOF MANUAL FIRE ALARM IP535Ex «SEVER»

Ex

0Ex ia IIC T6 Ga

INGRESS PROTECTION RATING  
**IP66/IP67**

#### Description

A manual fire alarm IP535Ex «SEVER» is designed for manual activation of a fire alarm.

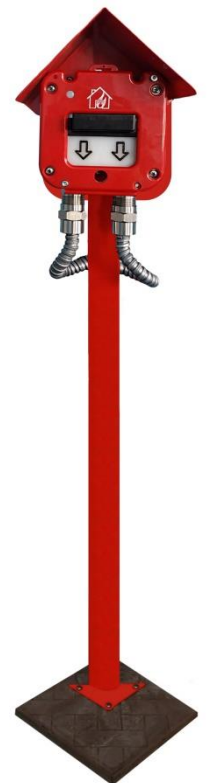
The alarm should be connected to equipment with intrinsically safe electrical circuits and intrinsically safe parameters complying with conditions of alarm application in hazardous areas.

The alarm is intended for use in hazardous areas, where explosive mixtures of gas and vapor with air can form under operating conditions, as well as in areas where explosive mixtures of dust and fibers with air can form under operating conditions.

The alarm housing can be equipped with sealing plastic cable glands and sealing MKV stainless steel glands, designed for various cable laying options.

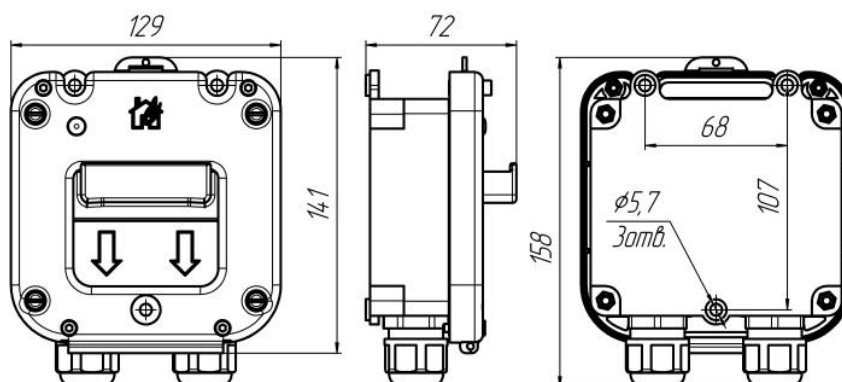
Operating temperature **from - 55°C to + 60°C.**

Weight: **0.50 kg.**



#### Dimensions

Dimensions in mm



#### Technical data

Maximum input intrinsically safe parameters	
Ui	30 V
Ii	100 mA
Pi	1 W
Li	10 μH
Ci	50 pF